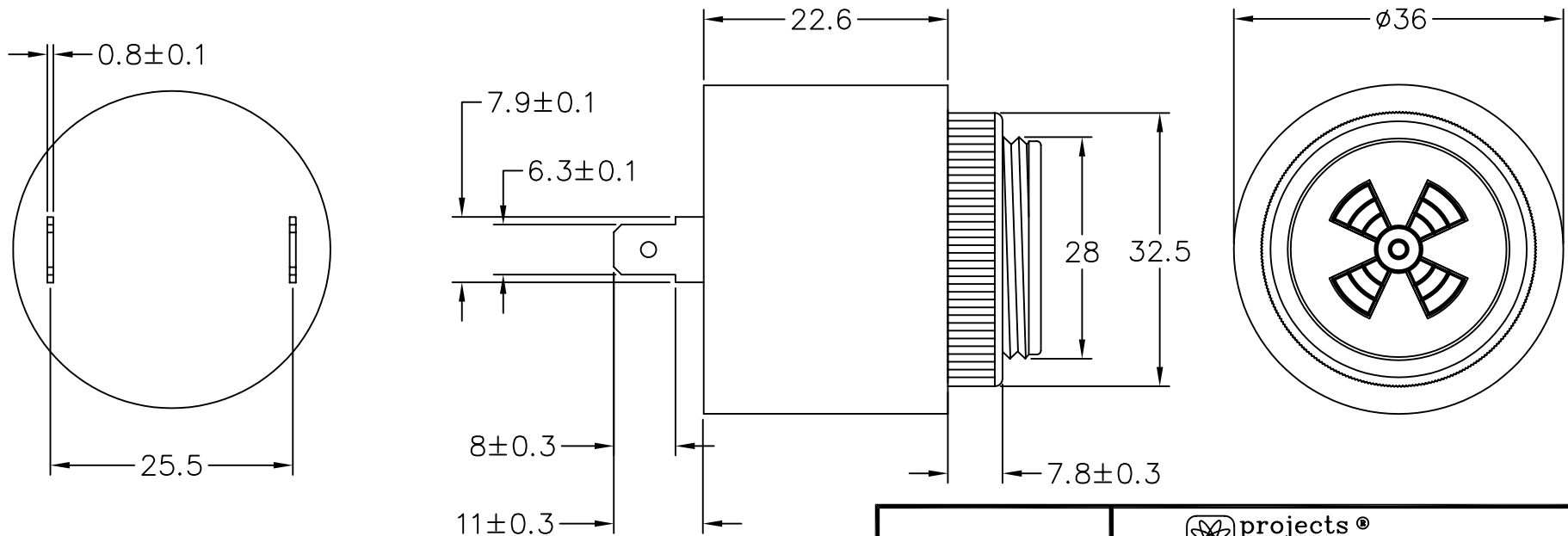


THIS DOCUMENT CONTAINS DATA PROPRIETARY TO PROJECTS UNLIMITED, INC. ANY USE OR REPRODUCTION, IN ANY FORM, WITHOUT PRIOR WRITTEN PERMISSION OF PROJECTS UNLIMITED, INC. IS PROHIBITED.
 © 2005, Projects Unlimited Inc.

SPECIFICATIONS

PARAMETERS	VALUES	UNITS
RATED VOLTAGE	28	Vdc
OPERATING VOLTAGE RANGE	6 ~ 28	Vdc
RATED CURRENT (MAX)	50	mA
MINIMUM SPL @ 10 CM	105	dBA
RESONANT FREQUENCY	2200±500	Hz
TONE OR PULSE RATE	SIREN	0 PULSE PER SECOND
OPERATING TEMPERATURE	-20 ~ +60	°C
STORAGE TEMPERATURE	-30 ~ +70	°C
HOUSING MATERIAL	PBT	-
TERMINAL MATERIAL	Sn Plated Phosphor Bronze	-
WEIGHT	35	grams


REVISIONS			
LTR	DESCRIPTION	DATE	APPROVED
-	RELEASED FROM ENGINEERING	11/27/06	



NOTES:

1. ALL DIMENSIONS ARE IN MILLIMETERS.
2. SPECIFICATION SUBJECT TO CHANGE OR WITHDRAWAL WITHOUT NOTICE.
3. THIS PART IS RoHS 2002/95/EC COMPLIANT.

FILE NAME
AI-3622-P-S-28V-R.DWG

UNLESS OTHERWISE SPECIFIED: DIMENSIONS ARE IN MILLIMETERS, TOLERANCES ARE ±0.5 AND ANGLES ARE ±3°.		 projects [®] unlimited Dayton, Ohio	
APPROVALS		DATE	
DRAWN	J.D.	11/06	
CHECKED	D.F.	11/06	
APPROVED	R.W.	11/06	
DO NOT SCALE DRAWING		SIZE A	DRAWING NO. AI-3622-P-S-28V-R
		SCALE: N.T.S.	SHEET 1 OF 1